

VEGAVIB 61

Two-wire

Vibrating level switch with vibrating rod for granuled bulk solids



Technical data

Process pressure	-1 ... +16 bar/-100 ... +1600 kPa (-14.5 ... +232 psig)
Process temperature	-50 ... +250 °C (-58 ... +482 °F)
Density	> 0.02 g/cm ³ (0.0007 lbs/in ³)
Ambient temperature on the housing	-40 ... +80 °C (-40 ... +176 °F)
Storage and transport temperature	-40 ... +80 °C (-40 ... +176 °F)
Hysteresis	approx. 2 mm (0.08 in) with vertical installation
Process fitting	Thread from G1 A, flanges from DN 32, Tri-Clamp from 1½", bolting from DN 40
Operating voltage	10 ... 36 V DC (via the signal conditioning instrument)
Switching delay	When being covered: 0.5 s, when being uncovered 1 s

Application area

VEGAVIB 61 is used as a level switch in granular and coarse-grained bulk solids and detects reliably and accurately when the min. or max. level is reached. The optimum rod design avoids buildup and jamming by the bulk solid material.

Advantages

- Easy setup without adjustment
- Product-independent switching point
- Optimum rod design avoids buildup and jamming
- Easy cleaning
- Wear and maintenance free
- SIL qualified

Function

The vibrating rod of VEGAVIB 61 is energized by a piezo drive to vibrate at its resonance frequency. If the medium covers the vibrating rod, the amplitude is damped. The electronics detects this change and converts it into a switching signal.

Materials

The wetted parts of the instrument are made of stainless steel 316L. The supplied process seal is made of Klingsil C-4400. You will find a complete overview of the available materials and seals in the "configurator" on our homepage under www.vega.com/configurator.

Housing versions

The housings are available in plastic, stainless steel or Aluminium. They are available with protection ratings up to IP 67.

Electronics versions

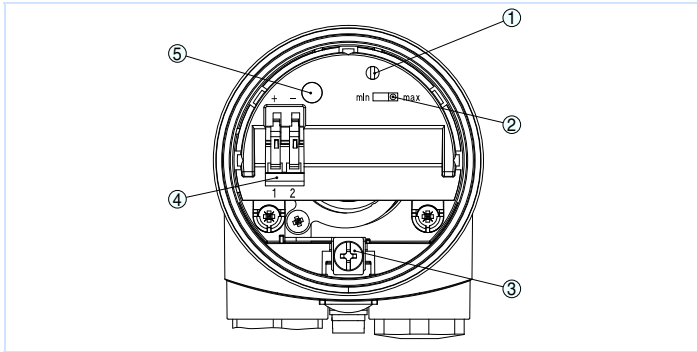
The instruments are available in different electronics versions. Apart from the versions with transistor output, contactless electronic switch and relay output, a two-wire version for connection to a signal conditioning instrument and a NAMUR version are also available.

Approvals

The instruments are suitable for use in hazardous areas and are approved, for example, according to ATEX, FM, CSA and IEC. You can find detailed information on the existing approvals in the "configurator" on our homepage under www.vega.com/configurator.

Operation

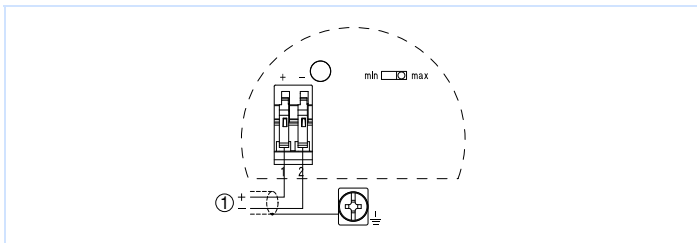
The sensitivity of the level switch can be adjusted on the electronics module. A control lamp shows the switching condition of the instrument. The mode can be adjusted on the connected signal conditioning instrument.



Electronics and connection compartment - two-wire output

- 1 Potentiometer for switching point adaptation
- 2 DIL switch for mode adjustment
- 3 Ground terminal
- 4 Connection terminals
- 5 Control lamp

Electrical connection

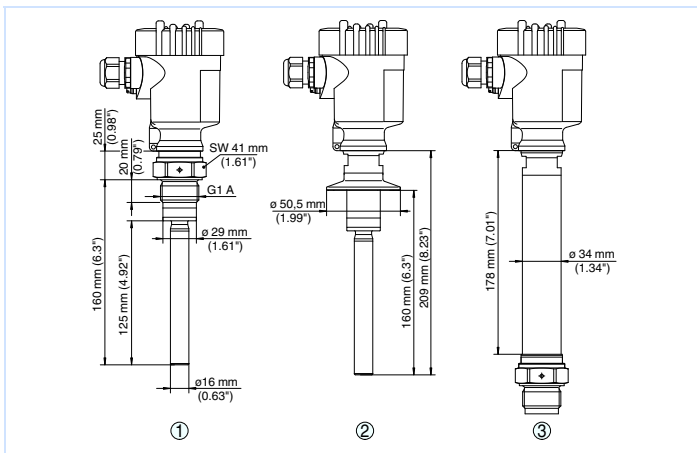


Wiring plan

- 1 Voltage supply

You can find details on the electrical connection in the operating instructions of the instruments on our homepage under www.vega.com/downloads.

Dimensions



- 1 Threaded version G1 A
- 2 Tri-Clamp version
- 3 Temperature adapter

Information

You can find further information about the VEGA product line on our homepage www.vega.com. In the download section under www.vega.com/downloads you'll find free operating instructions, product information, brochures, approval documents, instrument drawings and much, much more.

Instrument selection

With the "finder" you can select the most suitable measuring principle for your application: www.vega.com/finder. You can find detailed information on the instrument versions in the "configurator" on our homepage under www.vega.com/configurator.

Contact

You can find the VEGA agency serving your area on our homepage www.vega.com.